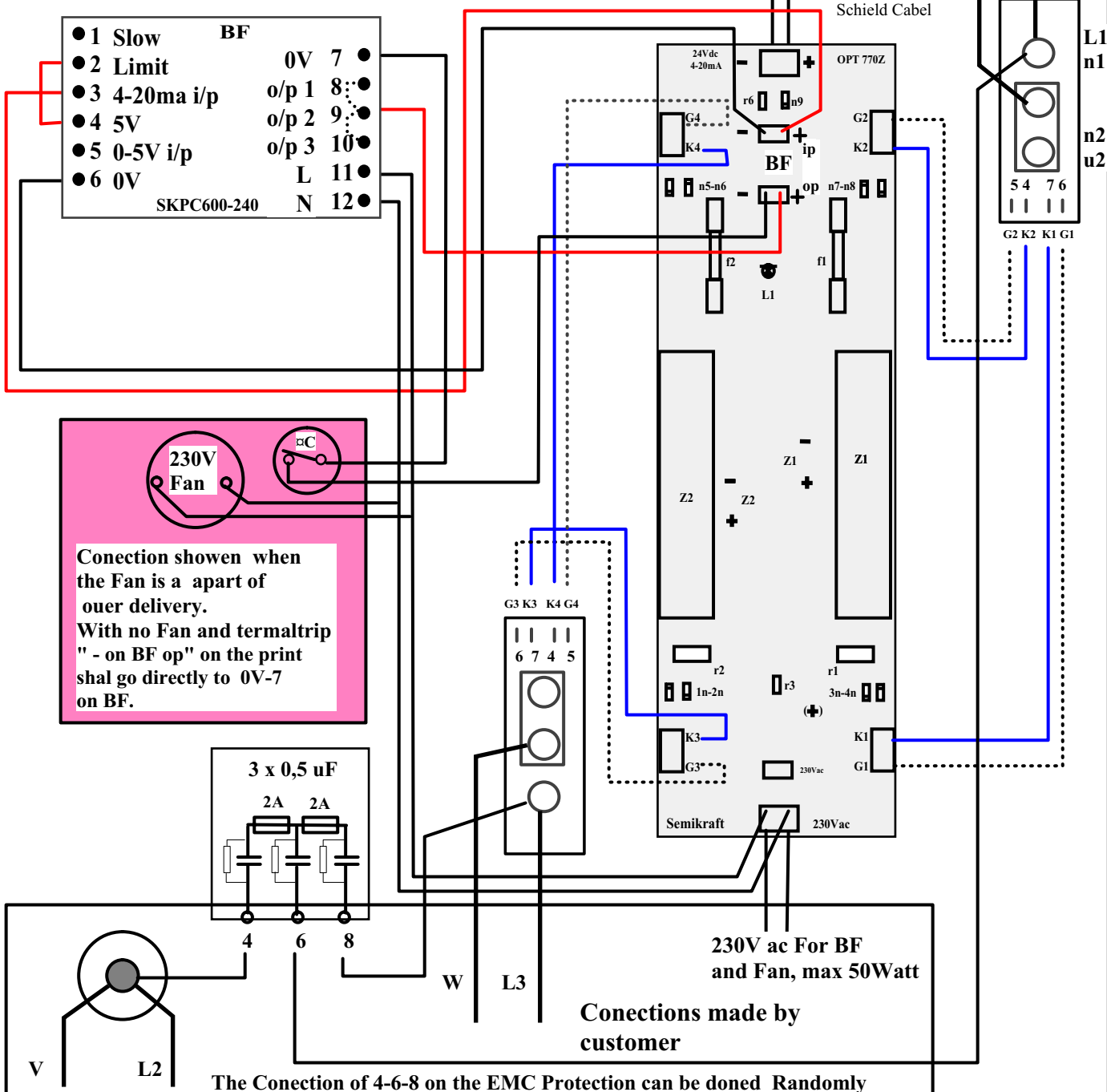


Statement of EMC Conformity Nemko Ref.No. 199636193

i/p Option;
 4-20mA
 0-10Vdc
 0-5Vdc
 24Vdc without BF

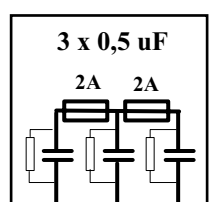
Conctions made by customer

- 1 Slow BF
 - 2 Limit 0V 7 ●
 - 3 4-20ma i/p o/p 1 8 ●
 - 4 5V o/p 2 9 ●
 - 5 0-5V i/p o/p 3 10 ●
 - 6 0V L 11 ●
 - N 12 ●
- SKPC600-240



230V Fan

Conction shown when the Fan is a apart of ouer delivery.
 With no Fan and termaltrip " - on BF op" on the print shal go directly to 0V-7 on BF.



Internal Wiring;

Cabel 0,75# + = Red
 Gate White - = Black
 Catode Blue ac = Black

Internal Wiring diagram for all ouer 700V "Triac^s

W2C.....V...A +OPT770Z + BF

TEGN.	H.W:
TILBUDS NR.	
ORDRE NR.	

New Print OPT770Z
 Replase OPT750Z

Kunde:

Replase: W02-96020Ze

SOLID STATE POWER

W13-96020Z

Correction;

15A-400AMP 550V - 700VOLT

SEMIKRAFT A/S
 1440 DRØBAK